

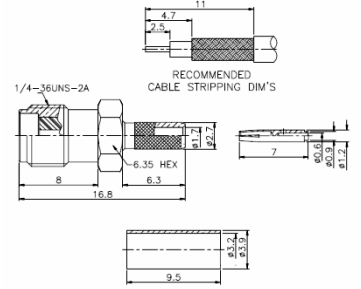
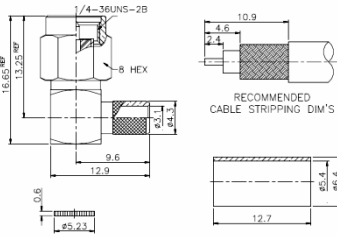
RF CONNECTORS / SMA

RSAPC01R

DIMENSIONS

RSAJC01

DIMENSIONS



SMA PLUG
CRIMP
RIGHT ANGLE

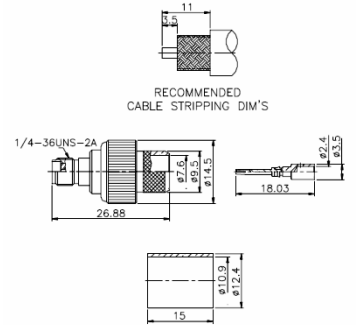
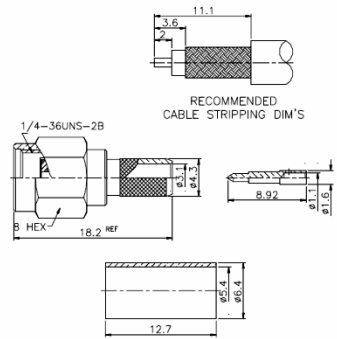
SMA JACK
CRIMP
STRAIGHT

RSAPC01

DIMENSIONS

RSAJC02

DIMENSIONS



SMA PLUG
CRIMP
STRAIGHT

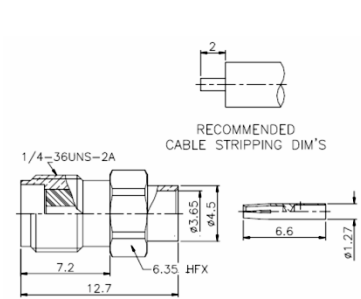
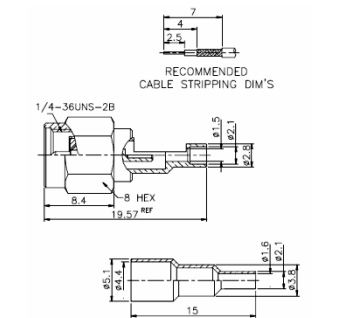
SMA JACK
CRIMP
STRAIGHT

RSAPC02

DIMENSIONS

RSAJS01

DIMENSIONS



SMA PLUG
CRIMP
STRAIGHT

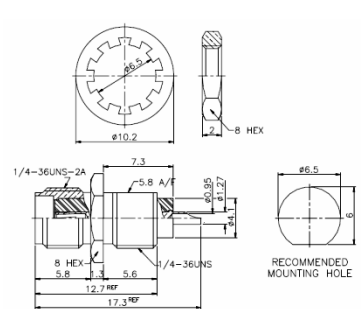
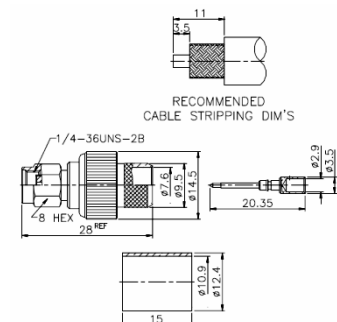
SMA JACK
SOLDER
STRAIGHT

RSAPC03

DIMENSIONS

RSAJB01


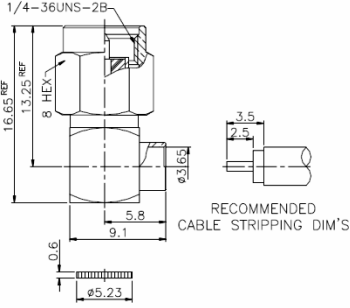

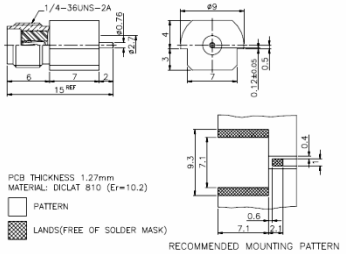

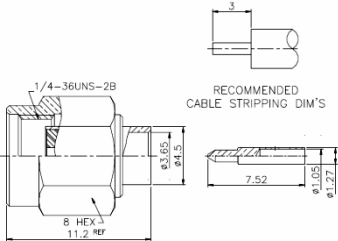

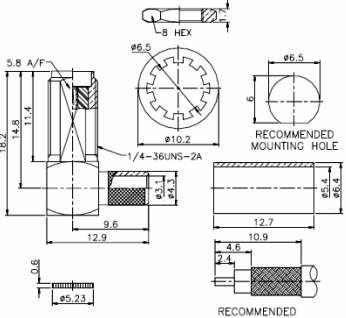

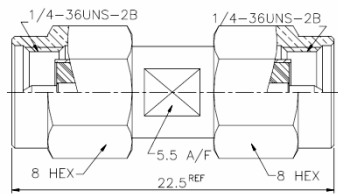

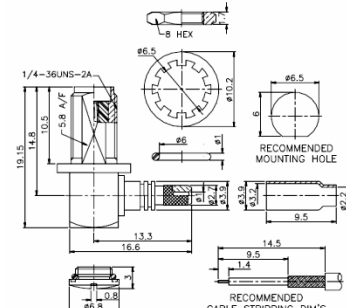

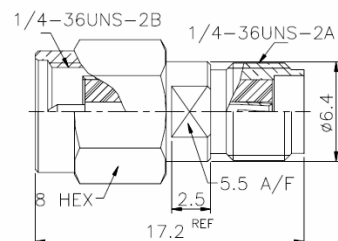

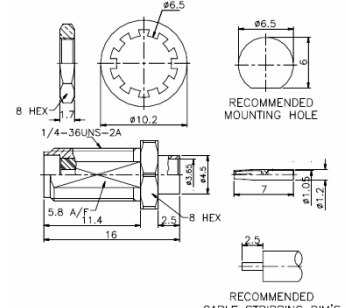
DIMENSIONS



SMA PLUG
CRIMP
STRAIGHT

SMA JACK
RECEPT
BULKHEAD

RF CONNECTORS / SMA

RSAPS01R	DIMENSIONS	RSAJE01	DIMENSIONS
 <p>SMA PLUG SOLDER RIGHT ANGLE</p>	 <p>1/4-36UNS-2B 16.65 REF 13.25 REF 8 HEX 3.5 2.5 0.3165 5.8 9.1 0.6 5.23 RECOMMENDED CABLE STRIPPING DIM'S</p>	 <p>SMA JACK END LAUNCH SMT</p>	 <p>1/4-36UNS-2A 6 7 2 16 REF 92 3 4 0.12605 9.3 7.1 0.4 0.6 7.1 12 RECOMMENDED MOUNTING PATTERN PCB THICKNESS 1.27mm MATERIAL: DCLAT 810 (Er=10.2) PATTERN LANDS(FREE OF SOLDER MASK)</p>
 <p>SMA PLUG SOLDER STRAIGHT</p>	 <p>1/4-36UNS-2B 8 HEX 11.2 REF 3 RECOMMENDED CABLE STRIPPING DIM'S 7.52 1.05 1.27</p>	 <p>SMA JACK CRIMP BULKHEAD RIGHT ANGLE</p>	 <p>8 HEX 5.8 A/F 18.2 14.9 11.4 1/4-36UNS-2A 10.2 6 6.5 RECOMMENDED MOUNTING HOLE 12.9 9.6 4.6 10.9 2.4 0.6 5.23 RECOMMENDED CABLE STRIPPING DIM'S</p>
 <p>SMA ADAPTOR PLUG TO PLUG STRAIGHT</p>	 <p>1/4-36UNS-2B 1/4-36UNS-2B 8 HEX 5.5 A/F 22.5 REF 8 HEX</p>	 <p>SMA JACK CRIMP BULKHEAD RIGHT ANGLE</p>	 <p>8 HEX 6.5 1/4-36UNS-2A 10.2 6 6.5 RECOMMENDED MOUNTING HOLE 10.15 14.9 10.3 5.8 A/F 13.3 16.6 14.5 9.5 1.4 0.6 5.23 RECOMMENDED CABLE STRIPPING DIM'S</p>
 <p>SMA ADAPTOR PLUG TO JACK STRAIGHT</p>	 <p>1/4-36UNS-2B 1/4-36UNS-2A 8 HEX 5.5 A/F 17.2 REF 6.4</p>	 <p>SMA JACK SOLDER BULKHEAD</p>	 <p>8 HEX 6.5 10.2 6 6.5 RECOMMENDED MOUNTING HOLE 1/4-36UNS-2A 5.8 A/F 11.4 16 2.2 8 HEX 2.5 1.05 1.27 RECOMMENDED CABLE STRIPPING DIM'S</p>

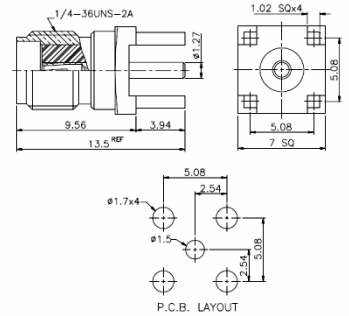
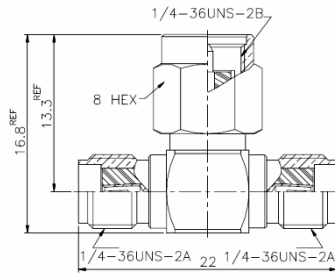
RF CONNECTORS / SMA

RASAP92SAJT

DIMENSIONS

RSAJM01

DIMENSIONS



SMA ADAPTOR
PLUG TO 2 JACK
T LINK

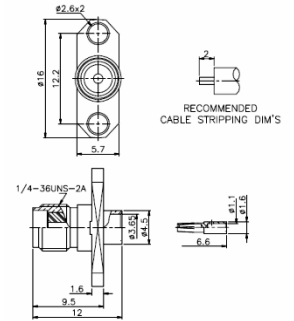
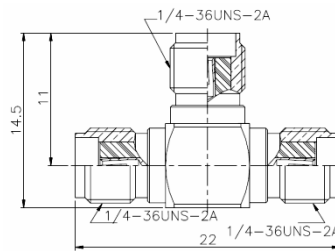
SMA JACK
P.C.B. MOUNT
STRAIGHT

RSAPS01

DIMENSIONS

RSAJSP01

DIMENSIONS

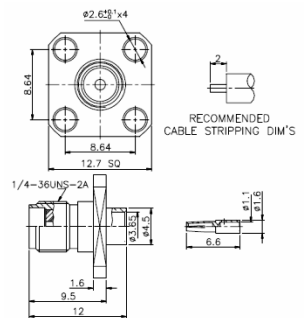


SMA PLUG
SOLDER
STRAIGHT

SMA JACK
SOLDER
PANEL MOUNT

RSAJSP02

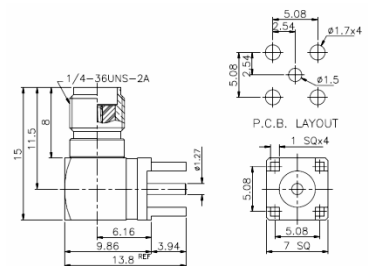
DIMENSIONS



SMA JACK
SOLDER
PANEL MOUNT

RSAJM01R

DIMENSIONS



SMA JACK
P.C.B. MOUNT
RIGHT ANGLE